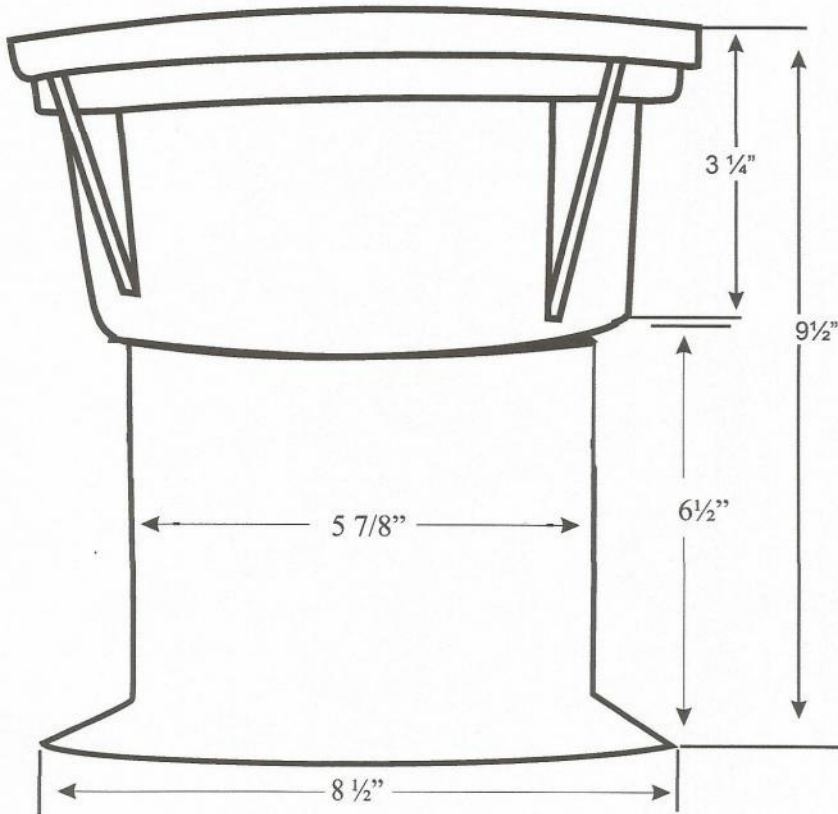
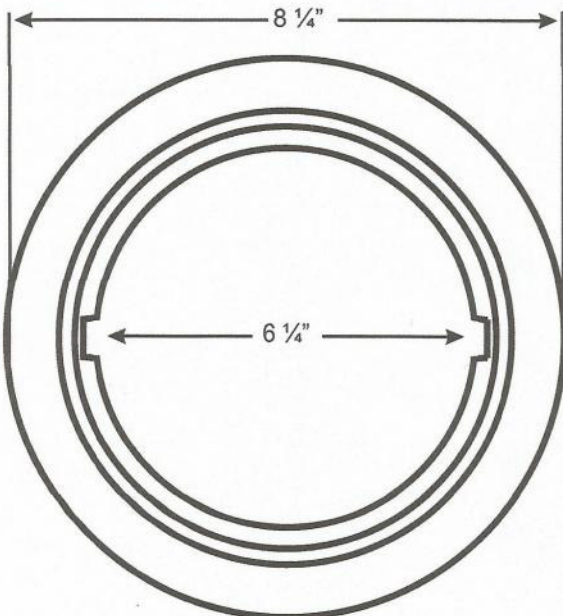


**SEWER CLEANOUT
SIDE VIEW**



**SEWER CLEANOUT
TOP VIEW**

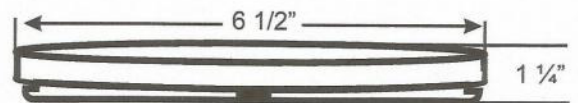


**Suitable for Lawn
Duty Usage**

LID TOP VIEW



LID SIDE VIEW



**Figure # 640
Locking SEWER Cleanout**

Casting conforms to:
ASTM specification A-48 Class 25
Country of Origin: USA

ABS conforms to:
ASTM specification D-1778

CP Test & Valvco, Inc.
201-998-1500
www.cptest.com