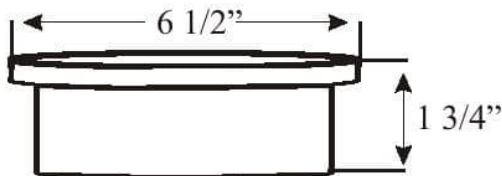


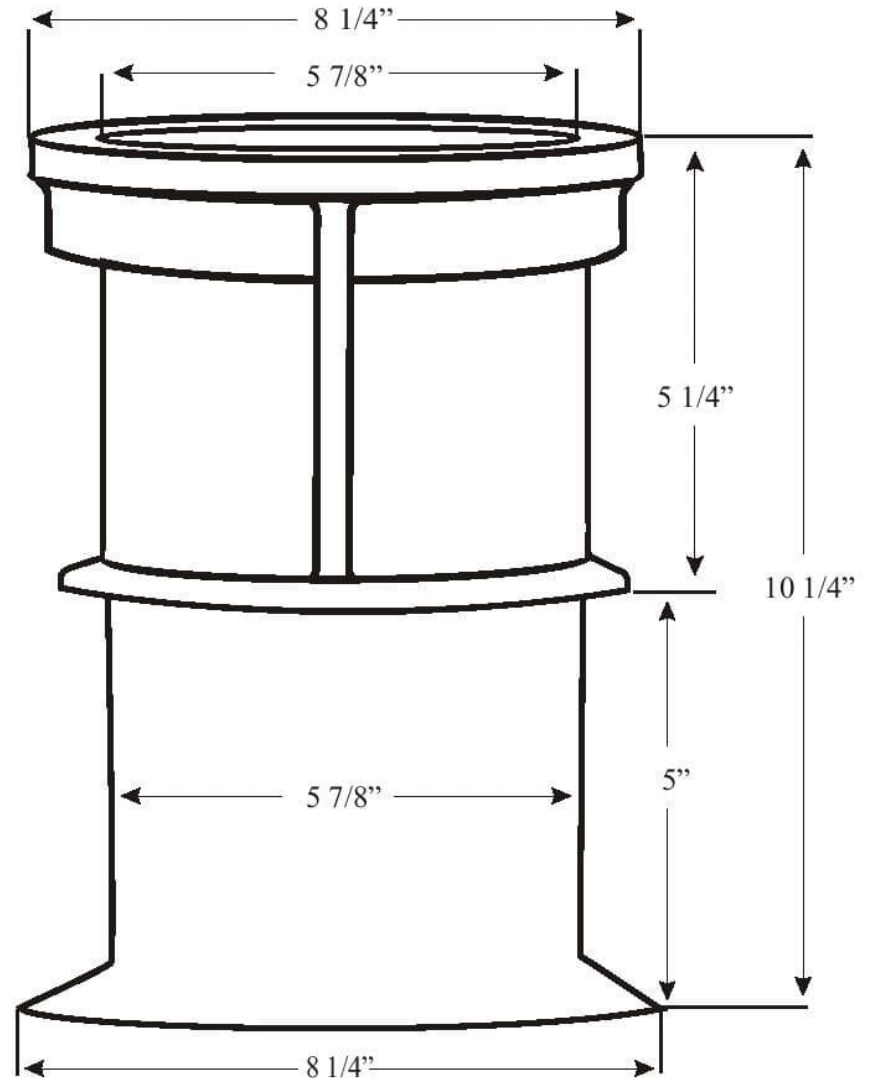
**SEWER CLEANOUT
TOP INTERIOR VIEW**



CAP TOP VIEW



CAP SIDE VIEW



**SEWER CLEANOUT
SIDE VIEW**

**Figure # 668
Locking SEWER Cleanout**

Casting conforms to:
ASTM specification A-48 Class 30
Country of Origin: USA

ABS shaft conforms to:
ASTM specification D-1788
Country of Origin: USA

CP Test & Valvco, Inc.
201-998-1500
www.cptest.com

U.S. Patent # 5,769, 565