



Test & Valvco, Inc.

205 Hallock Ave., Middlesex, NJ (201) 998-1500

www.cptest.com

***Valve Boxes
& Accessories***



#253 Curb Box

#334 Curb Box

#445 Curb Box

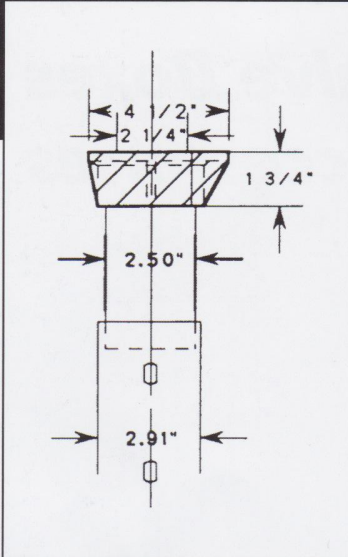
#445 Roadway Box

• Locking Lid

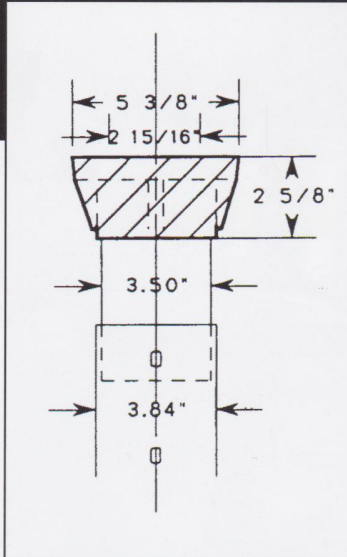
• Locking or Non-Locking Lid

• Locking or Non-Locking Lid

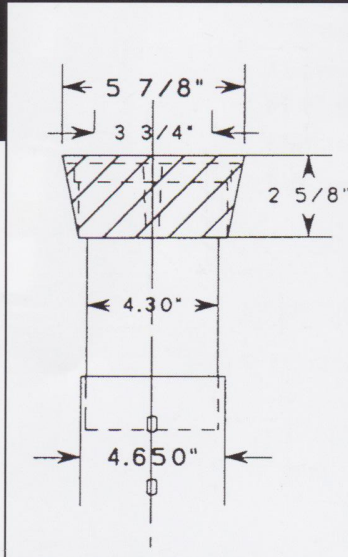
• Locking or Non-Locking Lid
• Risers Available for Repairing



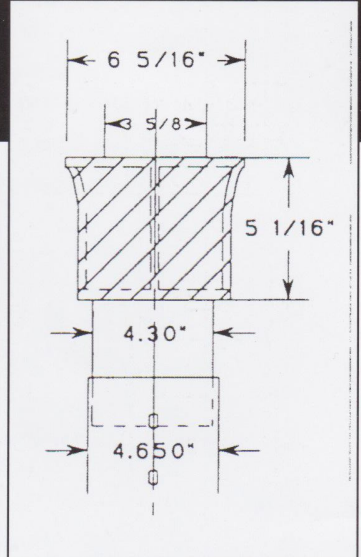
SHIPPING WEIGHT 4 LBS.



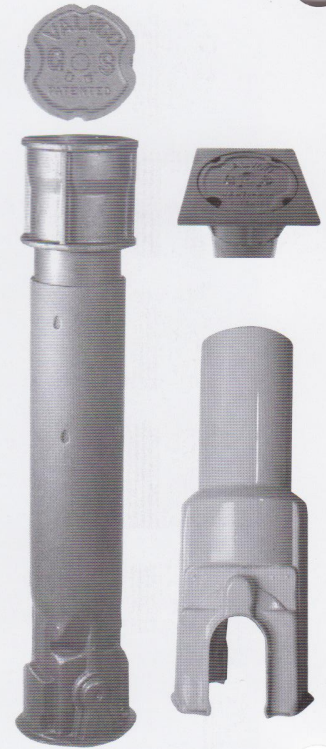
SHIPPING WEIGHT 7 LBS.



SHIPPING WEIGHT 8 LBS.



SHIPPING WEIGHT 12 LBS.



• All Valve Boxes are made of high-impact heavy-duty A.B.S. with cast iron collars and covers.

• Support pieces are available to fit most plastic valves.

• Patented Snap-Lok® and Double Snap-Lok® designs ensures valve placement in the center of the box.

• Complete drawings, specifications and test results available for all products.

#558 Curb Box

#558 Roadway Box

#668 Roadway Box

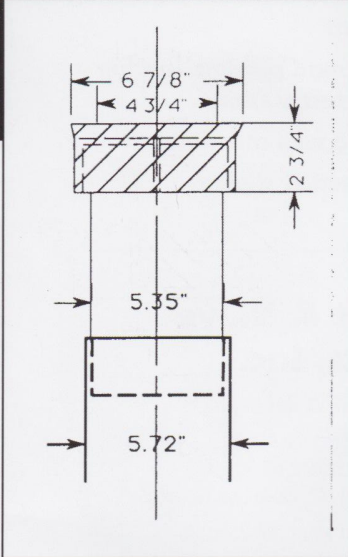
#11B Roadway Box

• Locking Lid

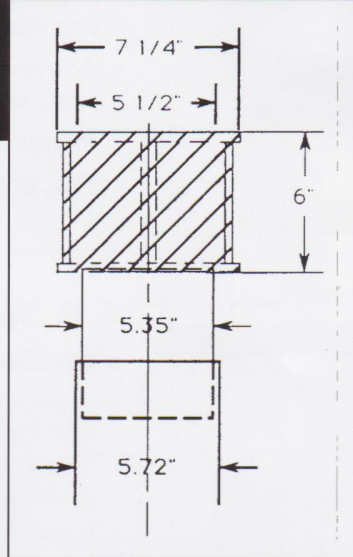
• Non-Locking Lid
• Risers Available for Repaving

• Locking Lid

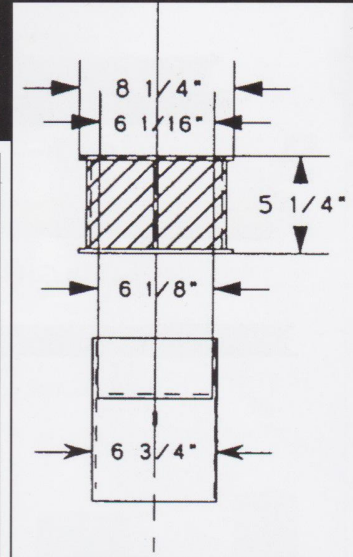
• Non-Locking Lid
• Risers Available for Repaving



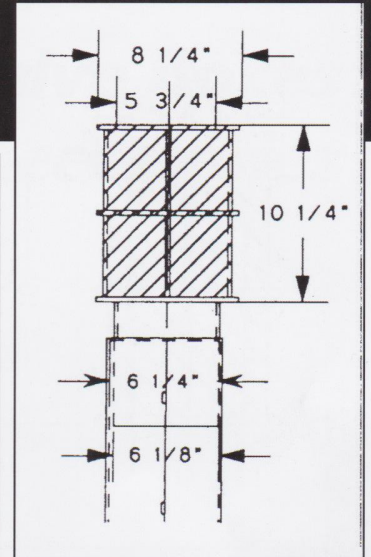
SHIPPING WEIGHT 14 LBS.



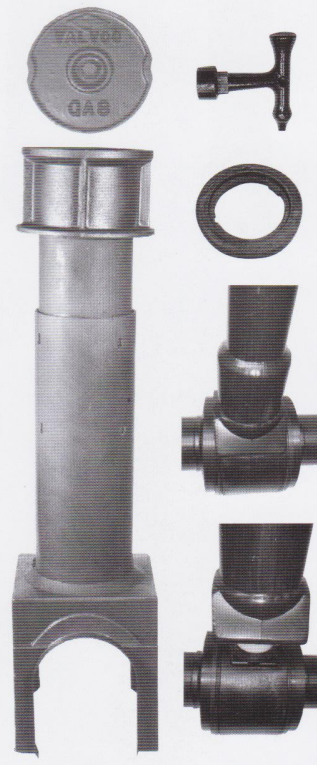
SHIPPING WEIGHT 19 LBS.



SHIPPING WEIGHT 28 LBS.



SHIPPING WEIGHT 36 LBS.

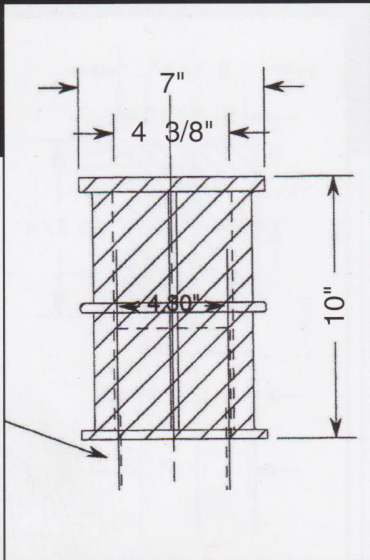


- Standard lengths are 18" top x 24" bottom for approximately 42" bury depth.
- Longer lengths are readily available, just specify your requirements.
- Lids can be imprinted "Gas," "Water" or "Test."
- Custom lettering is available. • Also available in square configuration.

#10 Roadway Box

Accessories

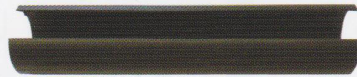
- Non-Locking Lid
- Risers Available for Repaving



SHIPPING WEIGHT 24 LBS.



Key Wrench



PVC Sleeves



Cable Guard



U-Guard



Extension Pieces



White Plastic

CP Test & Valvco, Inc.

is a woman-owned business, founded in 1907. The company sells a broad line of products to the gas, electric, water and water utility industry throughout the U.S., Canada and Europe.

The product lines include:

- Curb, service and roadway valve boxes
- Underground cathodic protection test stations
- Above-ground pipeline marker posts and test stations
- Monitoring well manholes
- PVC protection sleeves

CP Test & Valvco, Inc.

- Innovator in Valve Box products for over 50 years.
- Granted U.S. Patent #3,601,143 for our Snap-Lok® valve box bottom.
- Granted U.S. Patent #4,239,056 for our Double Snap-Lok® valve box bottom, which fits 2 or more sizes/types of valves.
- Committed to customer service, offering next day shipment of orders.
- Our valve boxes fit all size valves under 12 inches of all the valve manufacturers in the U.S.
- Woman-owned business



Test & Valvco, Inc.

205 Hallock Avenue
Middlesex, NJ 08846

Tel: 201-998-1500
Fax: 732-424-8811
www.cptest.com