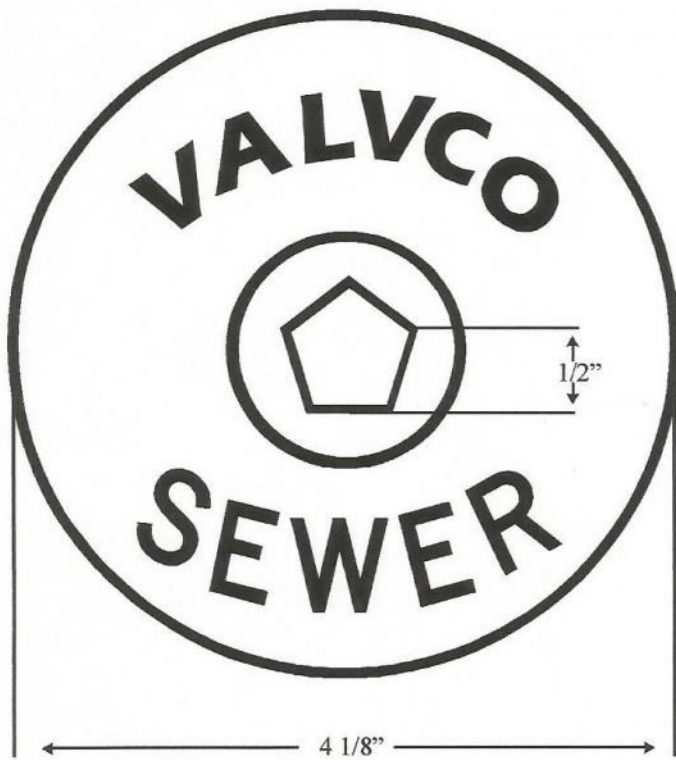
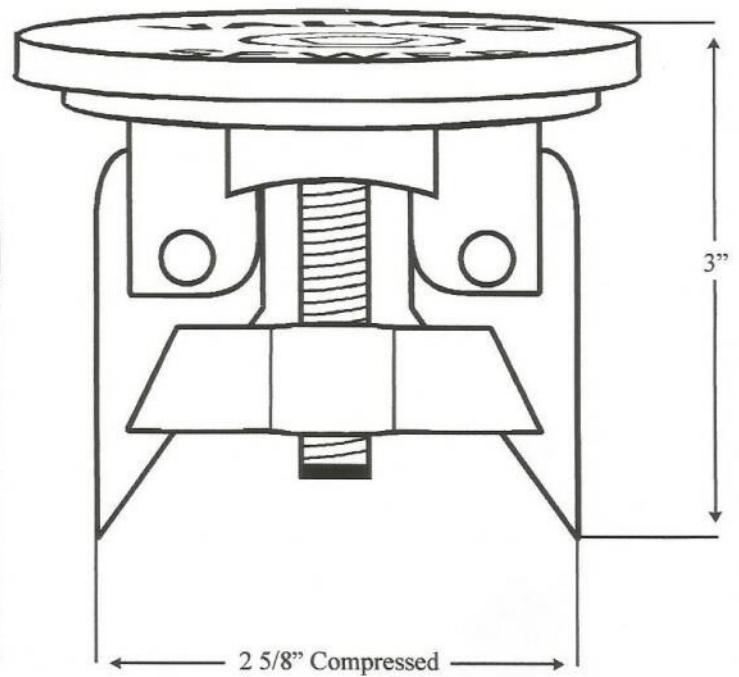


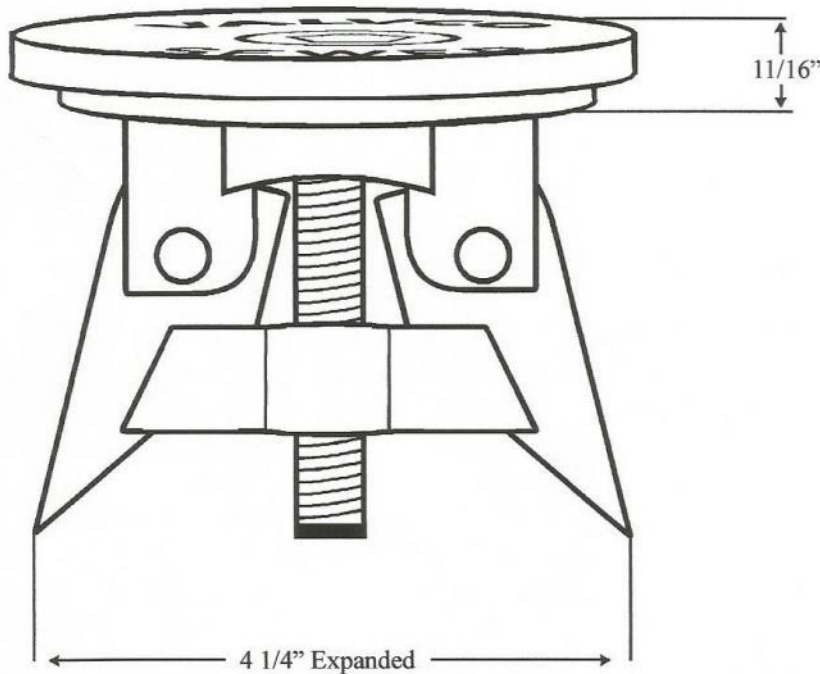
Top View



Side View Closed



Side View Open



WATER Lid
also available standard
Special lettering upon request

Figure # NSRL
New Style Repair Lid
Fits 2 1/2" Inside Lids

Casting conforms to:
ASTM specification A-48 Class 30

Pentagon brass bolt conforms to:
ASTM specifications

CP Test & Valvco, Inc.

201-998-1500

www.cptest.com