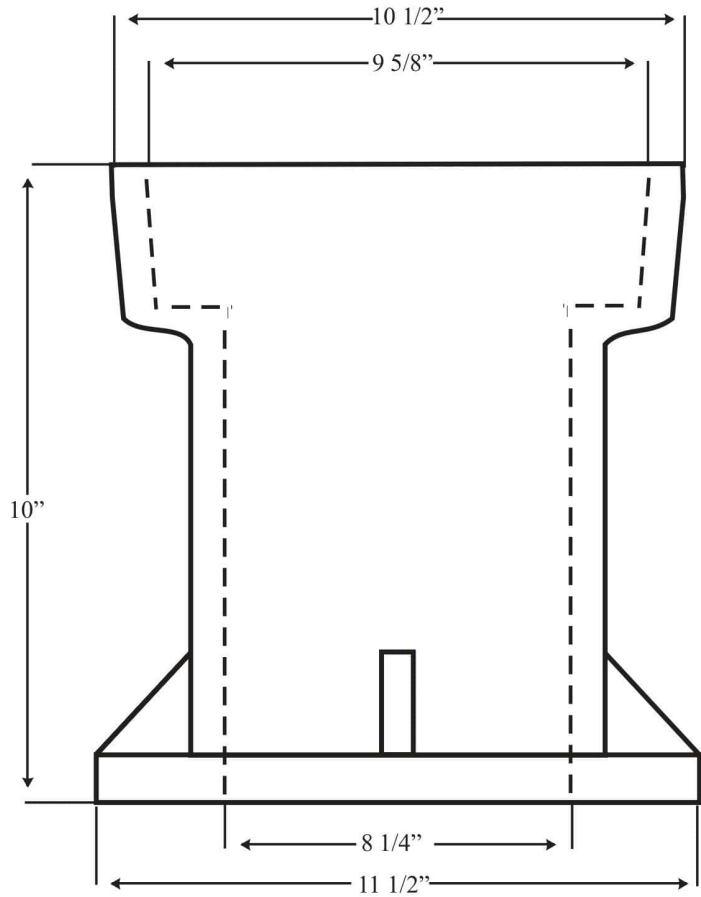
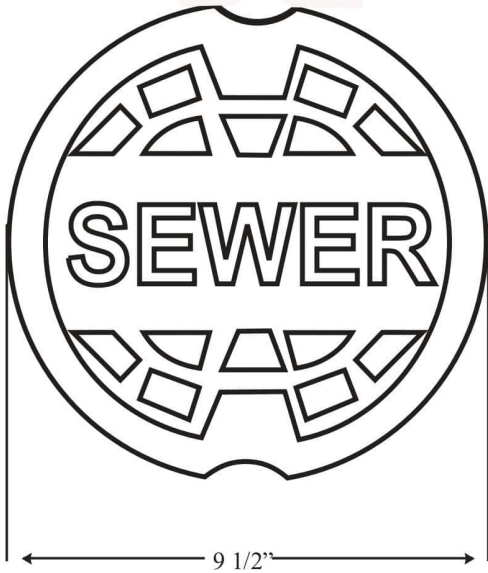


Lid Top View



Lid Side View

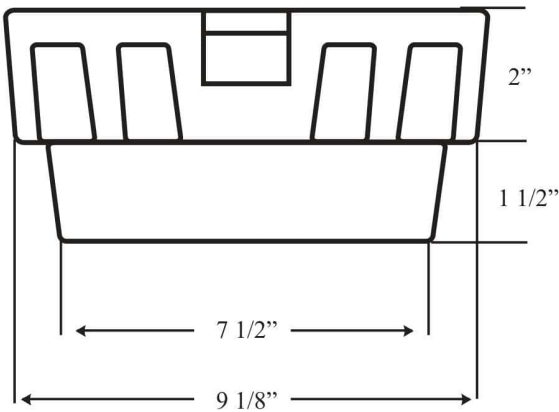


Figure # SC60 8" Roadway Sewer Cleanout 10" High

Casting conforms to:
ASTM specifications A-48 Class 30

Certified Tested to exceed
H-20 Load Test Rating

CP Test & Valvco, Inc.

201-998-1500

www.cptest.com