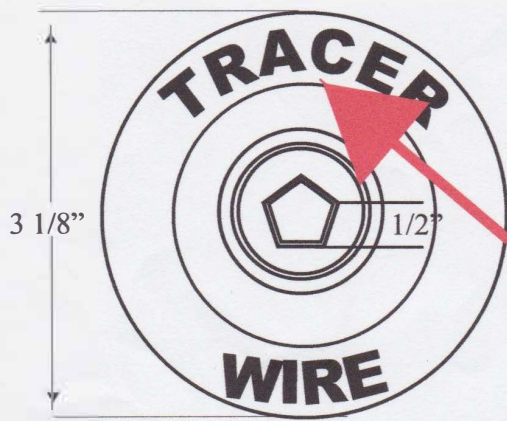
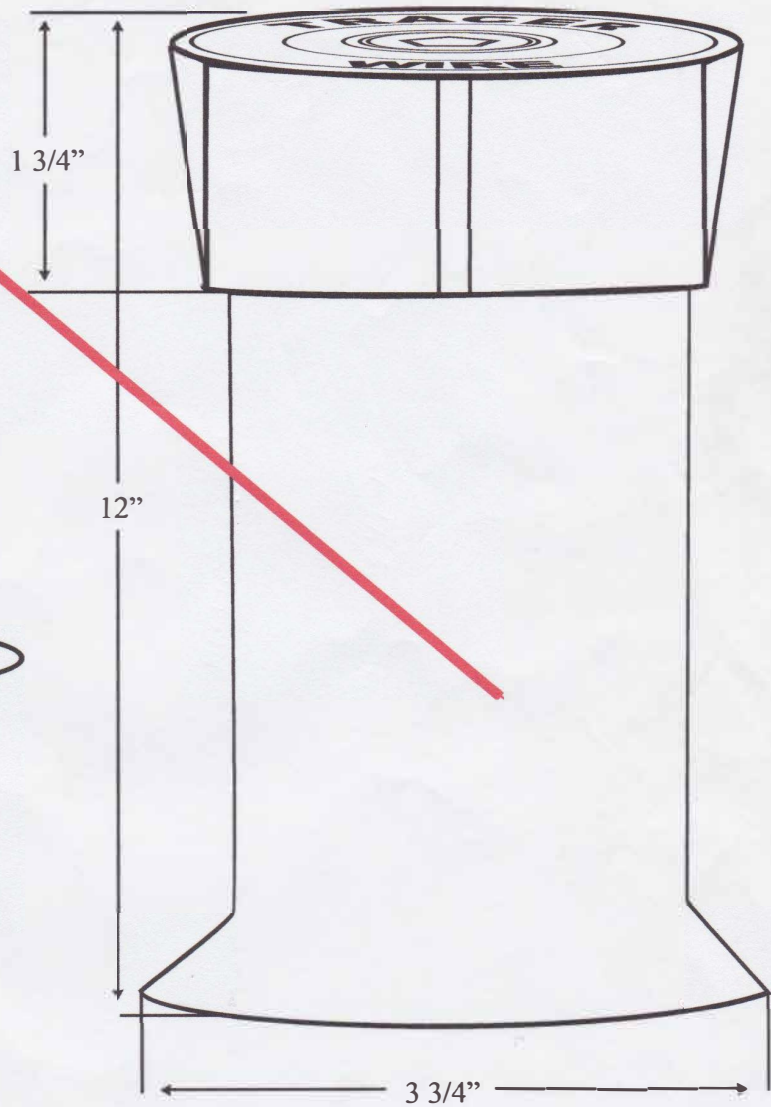


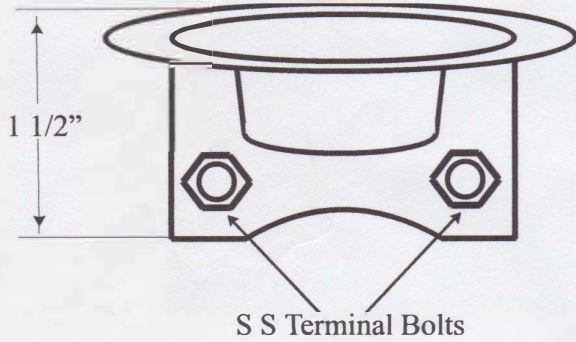
Lid Top View



Complete Box Side View



Lid Side View



Collar Top View

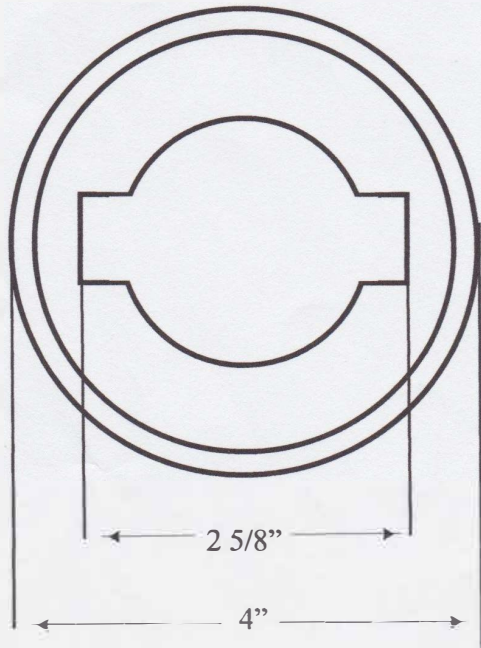


Figure # TWAB  
Tracer Wire Access Box

Casting conforms to:  
ASTM specification A-48 Class 30  
Country of Origin: USA

ABS conforms to:  
ASTM specification D1788  
Country of Origin: USA

CP Test & Valvco, Inc.  
205 Hallock Ave.  
Middlesex, NJ 08846  
(201) 998-1500